

Chart Projector CP-40



S e r v i n g y o u r v i s i o n



Chart Projector
CP-40

A Long-life LED Chart Projector



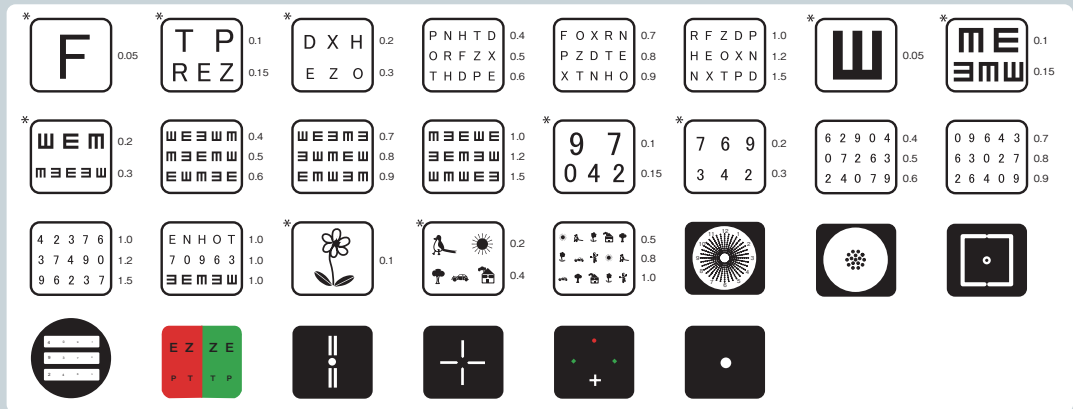
The light source changed from a conventional electric bulb type to an LED type which decreases CO₂ emissions and also reduces electrical power consumption.

The LED replacement is virtually never needed.



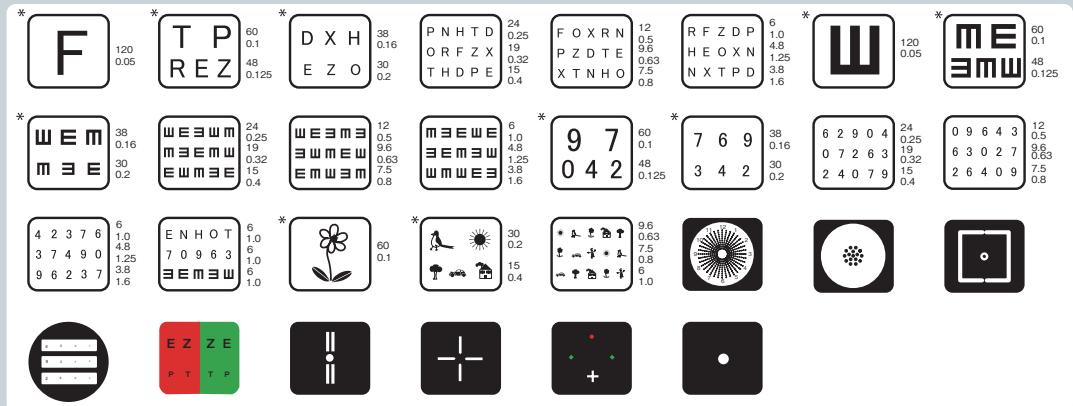
- ★ Now with Log MAR charts, a wider range of test charts are available.
- ★ Vertical, horizontal, and single-character masks are available. Or, it can be fully open.
- ★ Visual acuity values are displayed in the test frame.
- ★ Charts can be changed either with the chart buttons or the arrow buttons on the controller.
- ★ Chart units are sealed and dust-tight, and can be replaced with other units.
- ★ With the friction method, the angle of the main unit can be adjusted vertically and horizontally (tilting up and down, and swinging left and right).
- ★ The controller offers ergonomically aligned buttons.

TYPE 9 (Standard)



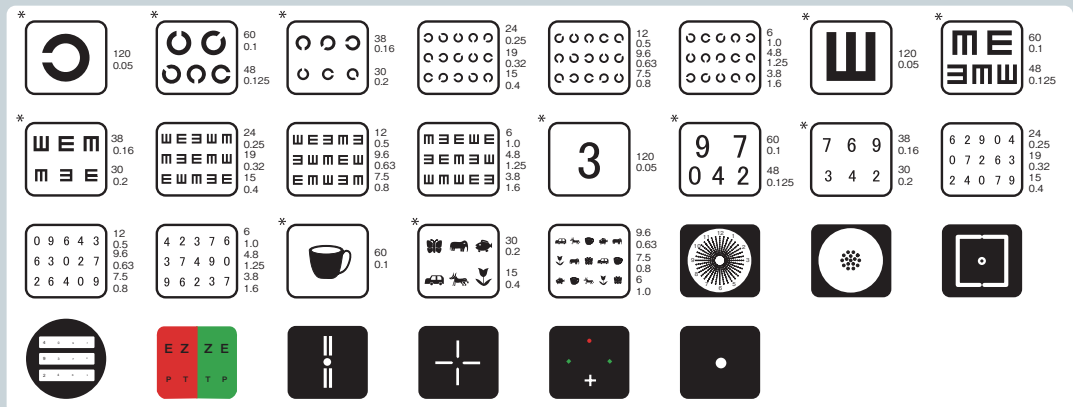
Note: The visual acuity charts with the mark "*" are available only with the open mask.

TYPE 7 LogMAR Chart

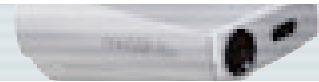


Note: The visual acuity charts with the mark "*" are available only with the open mask.

TYPE 8 LogMAR Chart

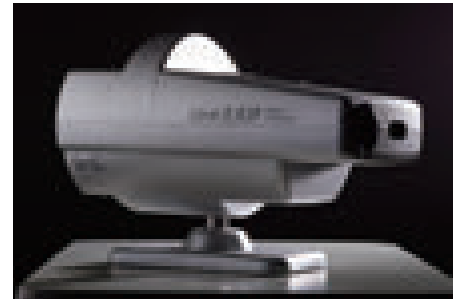


Note: The visual acuity charts with the mark "*" are available only with the open mask.

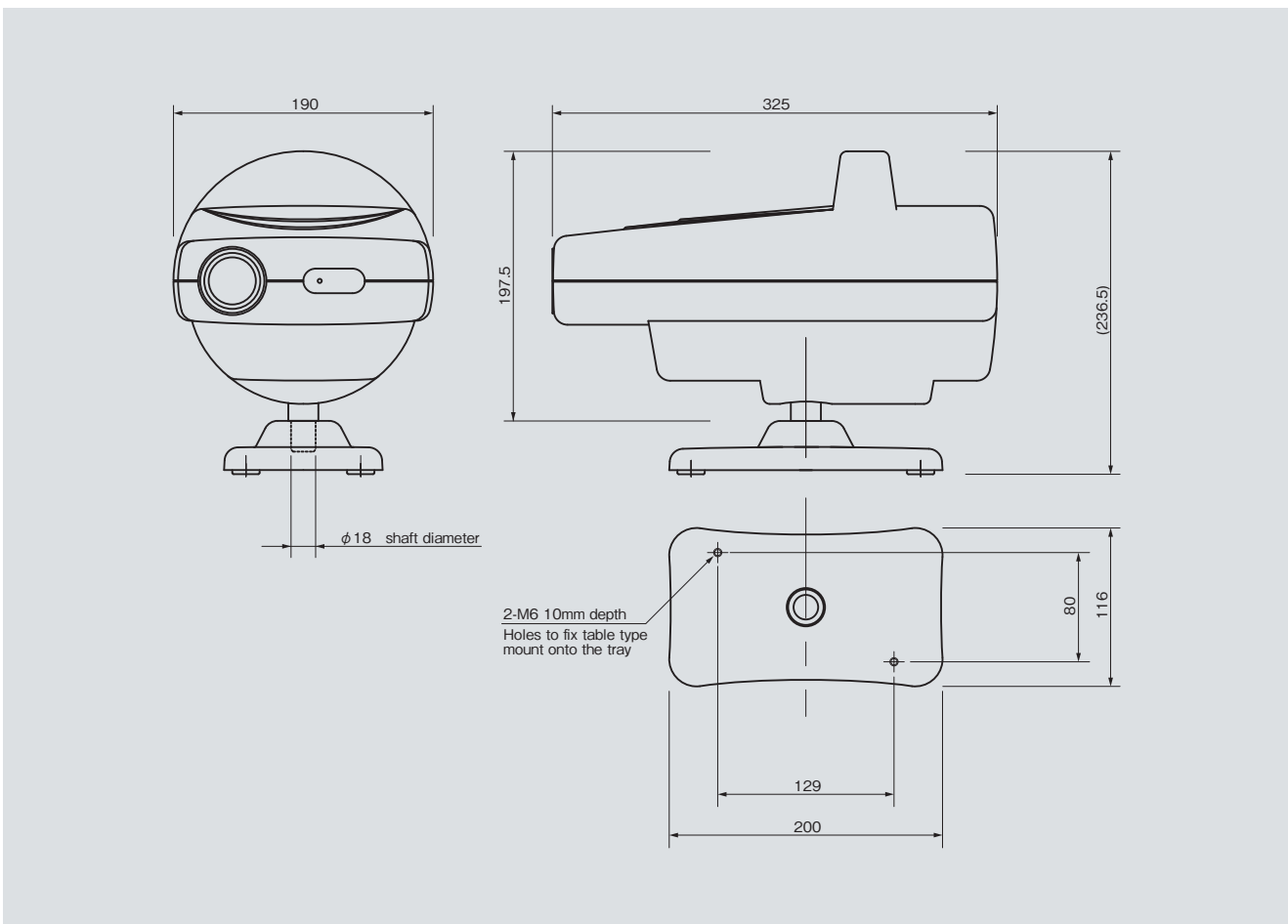


Specifications

Projecting distance	2.9 - 6.1m
Projection size	240(W) × 216(H)mm φ240mm (When using at a distance of 5m)
Mask	Red/Green filter:1
	Horizontal slits:3
	Vertical slits:5
	Spots:15
Rotating speed of chart disk	0.1 sec/frame, within 0.7 sec. maximum
Rotating speed of mask disk	0.1 sec/frame
Program provided	2 kinds with 31 steps each
Main bulb used	LED
Power Saving	Automatically power off 10 minutes after use
Control	Infrared wireless remote control
Power source	AC100V-AC240V 50/60Hz
Mounts available	Table type, Wall type
Tilting function	Tilts up and down / left and right
Weight	4.1kg



Dimensions



● Design and specifications are subject to change as improvements are made to the product.

TAKAGI SEIKO CO.,LTD.

330-2 IWAFUNE, NAKANO-SHI, NAGANO-KEN, 383-8585, JAPAN
 TEL.+81-269-22-4512 FAX.+81-269-26-6321
 URL:<http://www.takagi-j.com> E-mail:info@takagi-j.com

