



Ophthalmic Chair UN-15

Serving Your Vision



Ophthalmic Chair UN-15

Satisfaction guaranteed in everyday use for patient care.

Outstanding Features

A pneumatic-assisted manual recline mechanism uses patient's weight for easy reclining adjustments.

Recline capability includes a comfortable flat position, or any desirable position in between.

Single-handed headrest operation provides smooth patient headrest adjustment, and a unique lock indicator ensures that the headrest is locked firmly and securely in position.

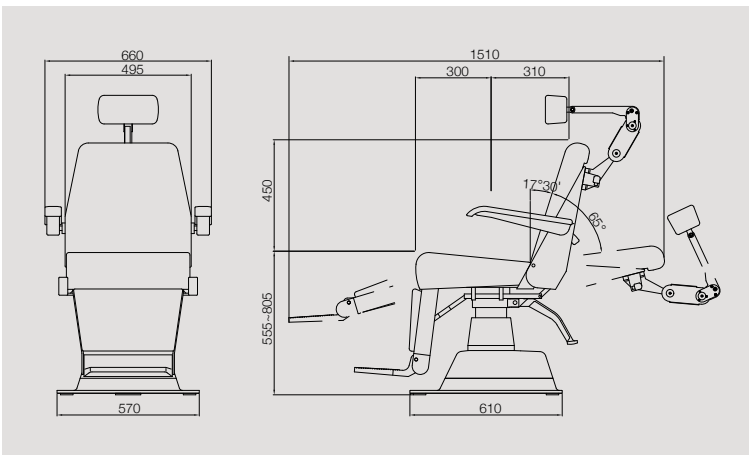
TAKAGI standard fail-safe sealed hydraulic system ensures smooth, long-term operation.

Rear-positioned, foot-activated rotation lock is easily accessible from both sides.

Specifications

Reclining angle	107.5° to 167.5°
Rotating angle	250°
Reclining	By power hydraulic pump motor.
Allowable load	150kg
Power supply	AC110V, 115V, 230V 50/60Hz
Power consumption	690VA
Weight	110kg

Dimensions



Single-handed headrest



Foot-activated rotation lock



Combined with Ophthalmic Stand SN-500

Caution To ensure safe and correct handling please read the user manual before using.

- Description and appearance as detailed in this brochure may be subject to change as improvements are made to products.
- Colours as they appear in brochure photographs may be slightly different to actual products due to lighting conditions when photographs were taken, or print colours.



For The Americas, Asia-Pacific & Middle East
TAKAGI SEIKO CO., LTD.

330-2 Iwafune, Nakano-shi, Nagano-ken, 383-8585, Japan
TEL : +81(0)269-22-4511(Switchboard) URL : <https://www.takagi-j.com>



Your local distributor



For Europe & Africa

Takagi Ophthalmic Instruments Europe Ltd

Citylabs 1.0, Nelson Street, Manchester, M13 9NQ, UK
TEL : +44 (0)161 273 6330 URL : <https://www.takagieurope.com>