

# Smart Table ST-50



S e r v i n g   y o u r   v i s i o n



## Table

### Slide Mechanism Removed to Reduce Table Top Thickness

The previous sliding table contained the slide mechanism in the underside of the table, by adopting a new slide mechanism design and removing the slide mechanism from the table top, all mechanical parts on the underside of the table are now discreetly enclosed and protected by the back plate.

This eliminates any concerns such as patients accidentally touching the mechanical parts or their clothes becoming contaminated with oil.



### Ultra-Thin Table Top

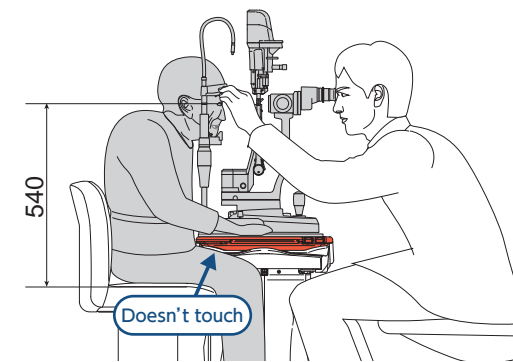
The table top is now 40% thinner than the previous model, accommodating all patient heights sufficiently with the increased space below the table top.

It is now more convenient to use a slit lamp for patients with curved backs and children with an eye height of only 540 mm from the seat surface, when used in conjunction with Takagi 700GL, 30GL, 4ZL, and 2ZL slit lamps.

The minimum height of the new motorized patient chair CR-750S is 400 mm, 30 mm lower than the previous model.

By combining ST-50 and CR-750S, tall patients can be examined easily by lowering the seat position, without hitting their folded knees to the underside of the table.

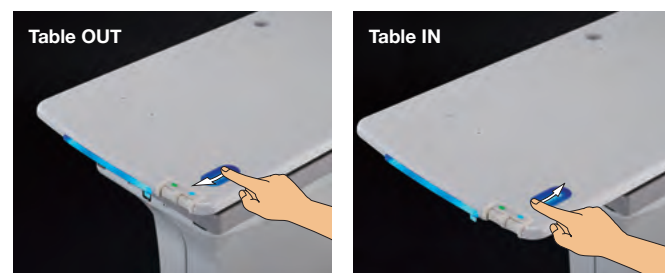
The large space below the table top allows patients in wheelchairs to be examined quickly and comfortably.



## Sliding Mechanisms

### Intuitive Table Slide

The motorized table slides by swiping the touch sensitive part where the blue light flashes, sensing the direction of the finger movement. Intuitive operation is now possible by swiping in and out for the required table direction, achieving ease of use and safety.

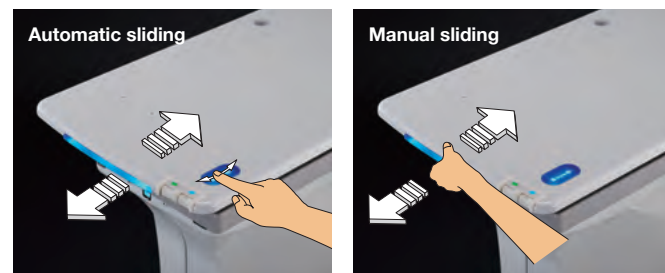


### Customizable Table Sliding Speed

Table sliding speed can be fully customized with five speed settings, 2.5, 3.0, 3.5, 4.0, or 4.5 seconds, according to the Doctors desired preference.

### Freedom to Use Automatic or Manual Sliding

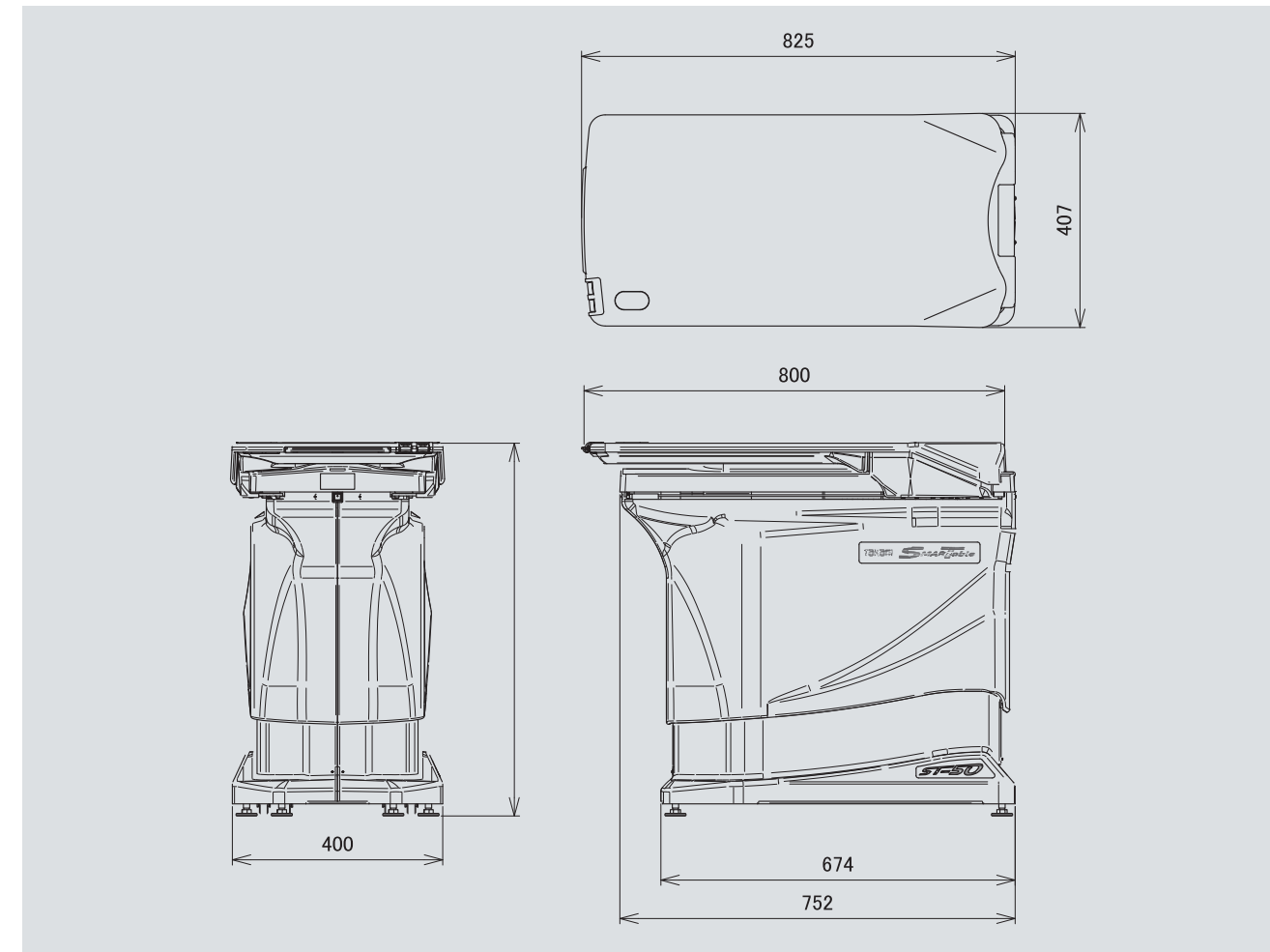
Automatic or manual sliding function can be used as required, e.g. simply slide the table out using manual mode then slide back using automatic mode, if the user feels more comfortable doing so due to a patient's condition.



## Specifications

Minimum height	620mm
Maximum height	920mm
Slide stroke	500mm
Slide speed	Switchable in 5 steps (2.5 sec., 3.0 sec., 3.5 sec., 4.0 sec., and 4.5 sec. from swiping in and out the touch sensitive part until the slide stops)
Allowable load	30kg
Power supply for slit lamp	Slit lamp installation kits for various manufacturers are available. Contact our sales department for full details.
Power	AC100V - 230V 50-60Hz
Power consumption	1500VA
Auxiliary electrical outlets	2 outlets
Weight	103 kg (including balancing weights exclusive of options)

## Dimensions



● Design and specifications are subject to change as improvements are made to the product.

**TAKAGI SEIKO CO.,LTD.**

330-2 IWAFUNE, NAKANO-SHI, NAGANO-KEN, 383-8585, JAPAN  
 TEL.+81-269-22-4512 FAX.+81-269-26-6321  
 URL:<http://www.takagi-j.com> E-mail:[info@takagi-j.com](mailto:info@takagi-j.com)



## Smart Table ST-50

# The Quintessential Slit Lamp Table



When considering ideal conditions for slit lamp use, it would be best as if the slit lamp is floating in the air, with no interference from the table. The slit lamp moves up and down easily for patients and users, and neatly retracts when not in use, for total safety and optimized examination time.

We have designed the ultimate Smart Table with a table top as thin as possible by removing the sliding mechanism from the table top, giving the slit lamp the illusion of floating in mid-air.

## Safety

### Elevation Safety Switch

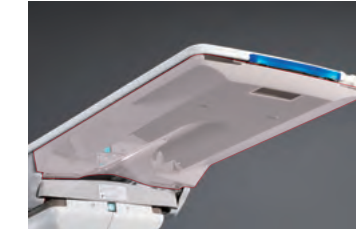
The plate section which covers the complete under side of the table is now the touch sensitive elevation safety switch, enhancing safety remarkably. When something touches the plate such as a patient's legs, the buzzer beeps and the switch panel turns red to alert the operator.

### Slide Safety Switch

The slide stop switch on the table top can swiftly halt the sliding motion by either pressing or touching it during the automatic sliding procedure.

### Fall Prevention Guard

The table top has a lipped edge guard to prevent instruments falling.



## Elevation Switches

### Elevation of Table and Motorized Patient Chair

Two LED backlit switches, tactile through three-dimensional modeling, for raising and lowering the table and the connected motorized patient chair. By pushing down with a thumb to lower, and up with a finger to raise, intuitive operation is now achieved as the direction to push the switches and the direction of the table and chair movement are the same.

\*Only Optional Takagi motorized patient chairs can be connected to ST-50.



## Underfoot Space

### Increased Minimum Table Height

Minimum table height is now 50mm lower than the previous model, comfortably accommodating all patients.

### Increased Elevation Stroke

The 300mm elevation stroke easily accommodating all patients.

### Increased Slide Stroke

The slide stroke is now increased to 500 mm, giving increased underfoot space.



## New Design

### Minimized Cable Exposure

With safety and aesthetics in mind, a power cable and video camera cable can be stored inside the cable access cover, minimizing external cable exposure.

### Storable Space for TV Camera Control Unit

The rack to store one TV camera control unit and outlets to supply power to the TV camera control unit are equipped as standard.

\*Please contact our sales department for full details on storable camera control units.



## Options

### LCD Monitor Mount

The LCD monitor pole can be attached, allowing an LCD monitor to be positioned close to the doctor and patient while not interfering with the slit lamp examination. The rack for a TV camera control unit can also be attached to the pole.

### Slit Lamp Installation Kits

Slit lamp installation kits for various manufacturers are available. Please contact our sales department for full details.



### Compatible Chairs UN-21 Full Reclining Chair

Serves as both motorized patient chair and full reclining chair.



### CR-750S Motorized Patient Chair

