

Chart Projector CP-40



Serving Your Vision

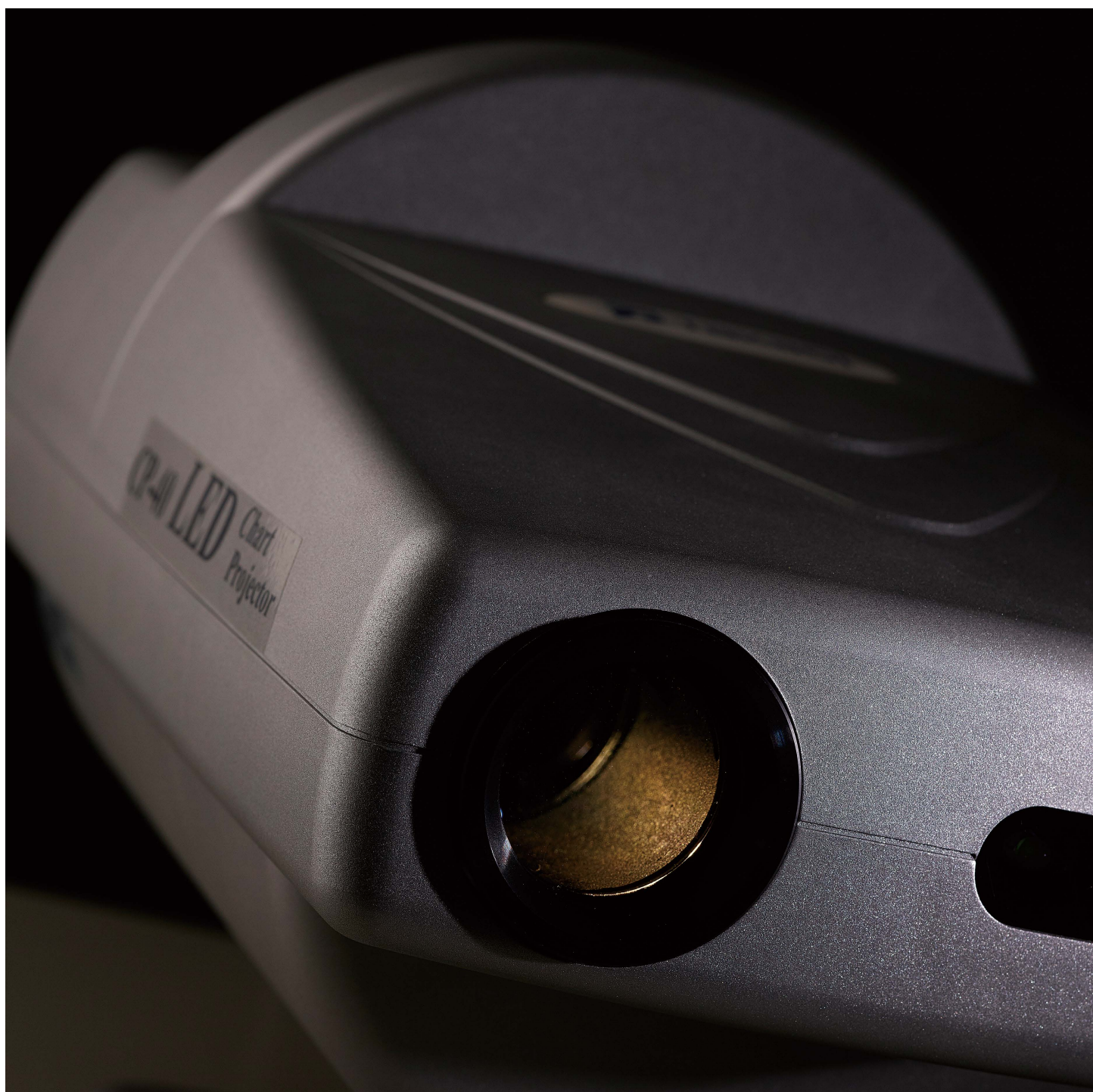


Chart Projector CP-40

A long-life LED Chart Projector



The light source changed from a conventional electric bulb type to an LED type which decreases CO₂ emissions and also reduces electrical power consumption. The LED replacement is virtually never needed.



Now with Log MAR charts, a wider range of test charts are available.

Vertical, horizontal, and single-character masks are available. Or, it can be fully open.

Visual acuity values are displayed in the test frame.

Charts can be changed either with the chart buttons or the arrow buttons on the controller.

Chart units are sealed and dust-tight, and can be replaced with other units.

With the friction method, the angle of the main unit can be adjusted vertically and horizontally (tilting up and down, and swinging left and right).

The controller offers ergonomically aligned buttons.

TYPE 9 (Standard)

0.05	0.1 0.15	0.2 0.3	0.4 0.5 0.6	0.7 0.8 0.9	1.0 1.2 1.5	0.05	0.1 0.15
0.2 0.3	0.4 0.5 0.6	0.7 0.8 0.9	1.0 1.2 1.5	0.1 0.15	0.2 0.3	0.4 0.5 0.6	0.7 0.8 0.9
1.0 1.2 1.5	1.0 1.0 1.0	0.1	0.2 0.4	0.5 0.8 1.0	1.0	1.0	1.0

Note: The visual acuity charts with the mark "*" are available only with the open mask.

TYPE 7 LogMAR Chart

120 0.05	60 0.1 48 0.125	38 0.16 30 0.2	24 0.25 19 0.32 15 0.4	12 0.5 9.6 0.63 7.5 0.8	6 1.0 4.8 1.25 3.8 1.6	120 0.05	60 0.1 48 0.125
38 0.16 30 0.2	24 0.25 19 0.32 15 0.4	12 0.5 9.6 0.63 7.5 0.8	6 1.0 4.8 1.25 3.8 1.6	60 0.1 48 0.125	38 0.16 30 0.2	24 0.25 19 0.32 15 0.4	12 0.5 9.6 0.63 7.5 0.8
6 1.0 4.8 1.25 3.8 1.6	6 1.0 6 1.0 6 1.0	60 0.1	30 0.2 15 0.4	9.6 0.63 7.5 0.8 6 1.0	1.0	1.0	1.0

Note: The visual acuity charts with the mark "*" are available only with the open mask.

TYPE 8 LogMAR Chart

120 0.05	60 0.1 48 0.125	38 0.16 30 0.2	24 0.25 19 0.32 15 0.4	12 0.5 9.6 0.63 7.5 0.8	6 1.0 4.8 1.25 3.8 1.6	120 0.05	60 0.1 48 0.125
38 0.16 30 0.2	24 0.25 19 0.32 15 0.4	12 0.5 9.6 0.63 7.5 0.8	6 1.0 4.8 1.25 3.8 1.6	120 0.05	60 0.1 48 0.125	38 0.16 30 0.2	24 0.25 19 0.32 15 0.4
12 0.5 9.6 0.63 7.5 0.8	6 1.0 4.8 1.25 3.8 1.6	60 0.1	30 0.2 15 0.4	9.6 0.63 7.5 0.8 6 1.0	1.0	1.0	1.0

Note: The visual acuity charts with the mark "*" are available only with the open mask.

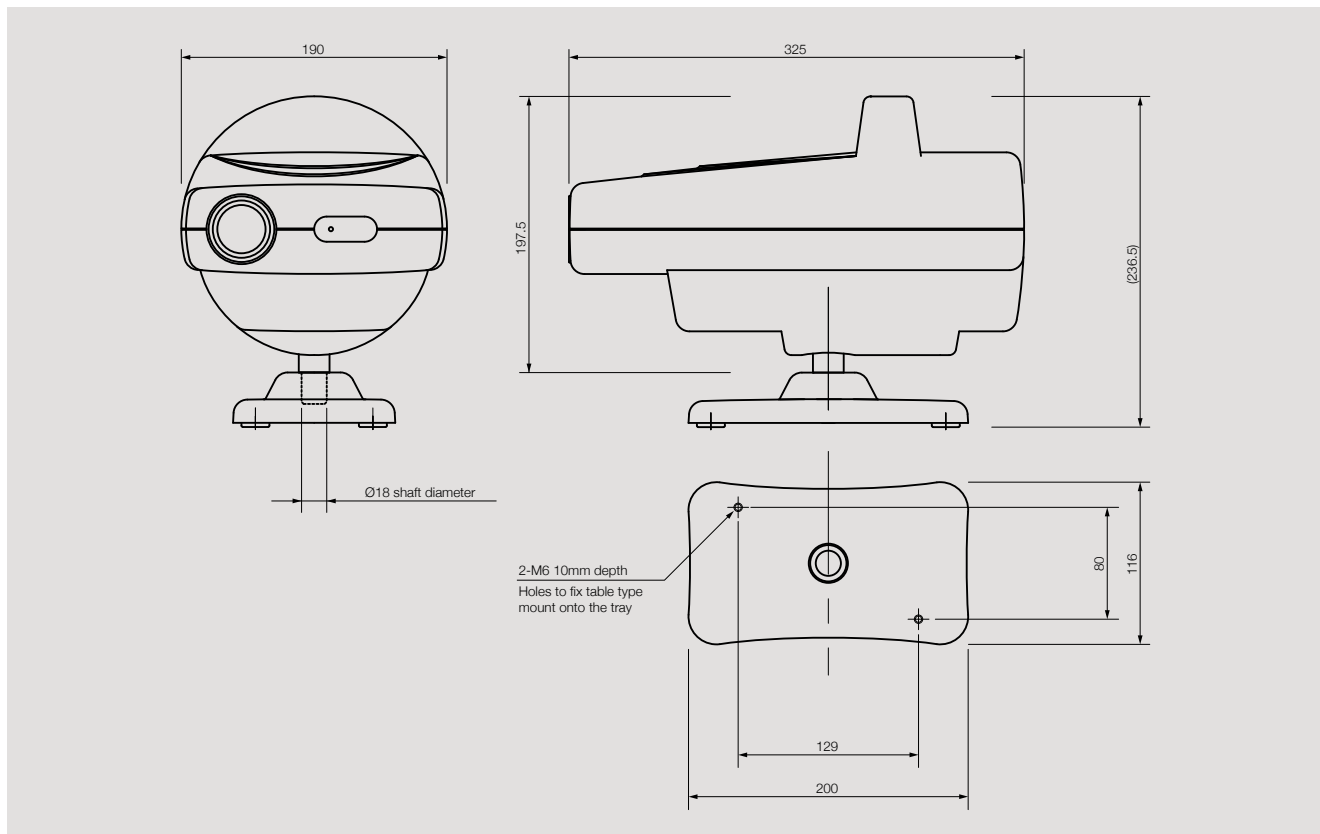


Specifications

Model name	CP-40 Chart Projector
Projecting distance	2.9-6.1 m
Projection size	240 (W) × 216 (H) mm Ø240 mm (When using at a distance of 5m)
Mask	Red/Green filter:1 Horizontal slits:3 Vertical slits:5 Spots:15
Rotating speed of chart disk	0.1 sec/frame, within 0.7 sec. maximum
Rotating speed of mask disk	0.1 sec/frame
Program provided	2 kinds with 31 steps each
Main bulb used	LED
Power Saving	Automatically power off 10 minutes after use
Control	Infrared wireless remote control
Power source	AC 100-240 V, 50/60 Hz
Mounts available	Table type, Wall type
Tilting function	Tilts up and down / left and right
Weight	4.1 kg



Dimensions



To ensure safe and correct handling please read the user manual before using.

- Description and appearance as detailed in this brochure may be subject to change as improvements are made to products.
- Colours as they appear in brochure photographs may be slightly different to actual products due to lighting conditions when photographs were taken, or print colours.



For The Americas, Asia-Pacific & Middle East
Takagi Seiko Co., Ltd
 330-2 Iwafune, Nakano-shi, Nagano-ken, 383-8585, Japan
 TEL : +81(0)269-22-4511(Switchboard) URL : <https://www.takagi-j.com>



Your local distributor



For Europe & Africa
Takagi Ophthalmic Instruments Europe Ltd
 Citylabs 1.0, Nelson Street, Manchester, M13 9NQ, UK
 TEL : +44 (0)161 273 6330 URL : <https://www.takagi-europe.com>